

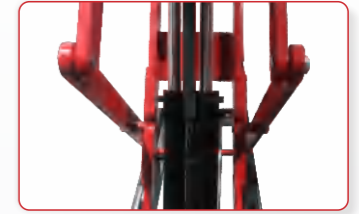
FULL RISE SCISSOR SMART LIFT

AMGO Full Rise Scissor Lift is the perfect choice for raising the vehicle high enough to walk underneath but limited bay space width.



Main Features

- ✓ 24V control system for safety operation.
- ✓ 2-Dual synchronous cylinders are applied to assure the lifting level on both platforms.
- ✓ Hydraulic cylinders built with hoses burst valves for safety protection.
- ✓ Both mechanical and hydraulic lock system. It might be the safest small scissor lift in the world.
- ✓ The safety stop device at the height of 11 7/8"(300mm), both control buttons are needed to lower down the lift from 11 7/8"(300mm) to ground with tone alarm for safety.



Both mechanical and hydraulic locks.



Adjustable ramps and extended platform for longer vehicles.



Both 1 1/2" and 3" height rubber pads included as standard supply.

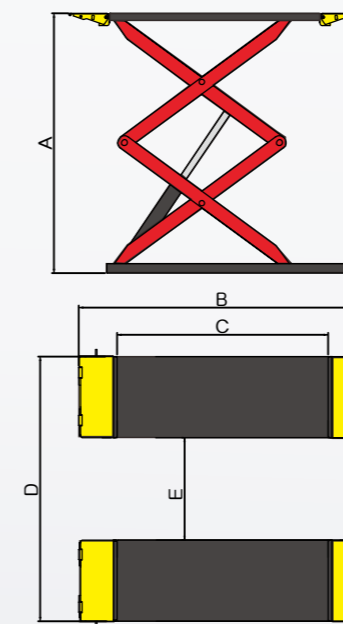


Low profile design, the closed height is only 4 1/2"(115mm).



Optional Leveling Kit. Recommended for heavier vehicles with narrow or wider frames. Kits No.:SX003

SPECIFICATIONS



Model	XL-7	
Lifting Capacity	7,000lbs (3000kg)	
Lifting Time	42 S	
Max. Lifting Height	A	78 3/4" (2000mm)
Minimum Height		4 1/2" (115mm)
Overall Length	B	79 3/4" (2028mm)
Runway Length	C	57 3/8" (1458mm)
Overall Width	D	76 3/4" (1950mm)
Width Between Runway	E	29 1/2" (750mm)
Gross Weight	1,949 lbs (884kg)	
Motor	2.0HP,220V/60Hz,single phase	

AMGO HYDRAULIC CORPORATION

1931 Jo Rogers Jr Blvd, Manning, SC 29102, USA
Tel: (803) 505-6410 www.amgohyd.com