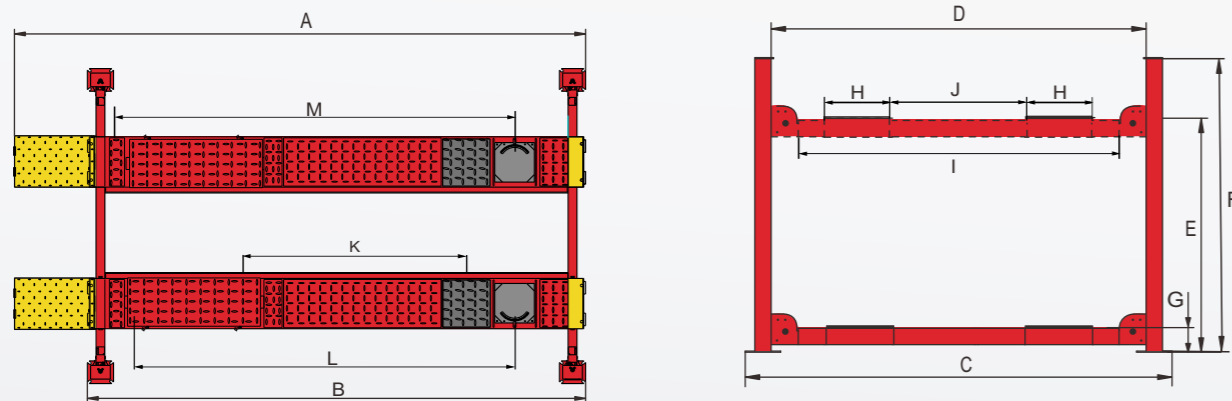


SPECIFICATIONS

Model		PRO-12SX	PRO-12ASX
Style		Non-Alignment	Alignment
Lifting Capacity		12,000lbs(5500kg)	12,000lbs(5500kg)
Lifting Time		45S	45S
Overall Length (Inc. Ramps)	A	232 5/8" (5910mm)	232 5/8" (5910mm)
Overall Length(No Inc. Ramps)	B	196 3/4" (4998mm)	196 3/4" (4998mm)
Overall Width	C	132 1/8" (3356mm)	132 1/8" (3356mm)
Width Between Posts	D	118 1/8" (3000mm)	118 1/8" (3000mm)
Lifting Height	E	73 1/2" (1865mm)	75 3/8" (1915mm)
Overall Height	F	86" (2185mm)	86" (2185mm)
Minimum Height	G	6 5/8" (170mm)	8 5/8" (220mm)
Runway Width	H	20" (508mm)	20" (508mm)
Drive-Thru Clearance	I	104 1/8" (2646mm)	104 1/8" (2646mm)
Width Between Runways	J	43 1/4" (1100mm) Max. 53 3/4" (1365mm)	43 1/4" (1100mm) Max. 53 3/4" (1365mm)
Min. Four Wheel Align	K	/	81 7/8" (2080mm)
Max. Four Wheel Align	L	/	151 5/8" (3850mm)
Max. Two Wheel Align	M	/	157 1/2" (4000mm)
Gross Weight		2,255lbs(1023kg)	2,520lbs(1143kg)
Motor		2.0HP,220V/60Hz,single phase	



FOUR POST
COMMERCIAL LIFT

With great performance, this is the perfect lift to meet the needs of garage and shop owners.



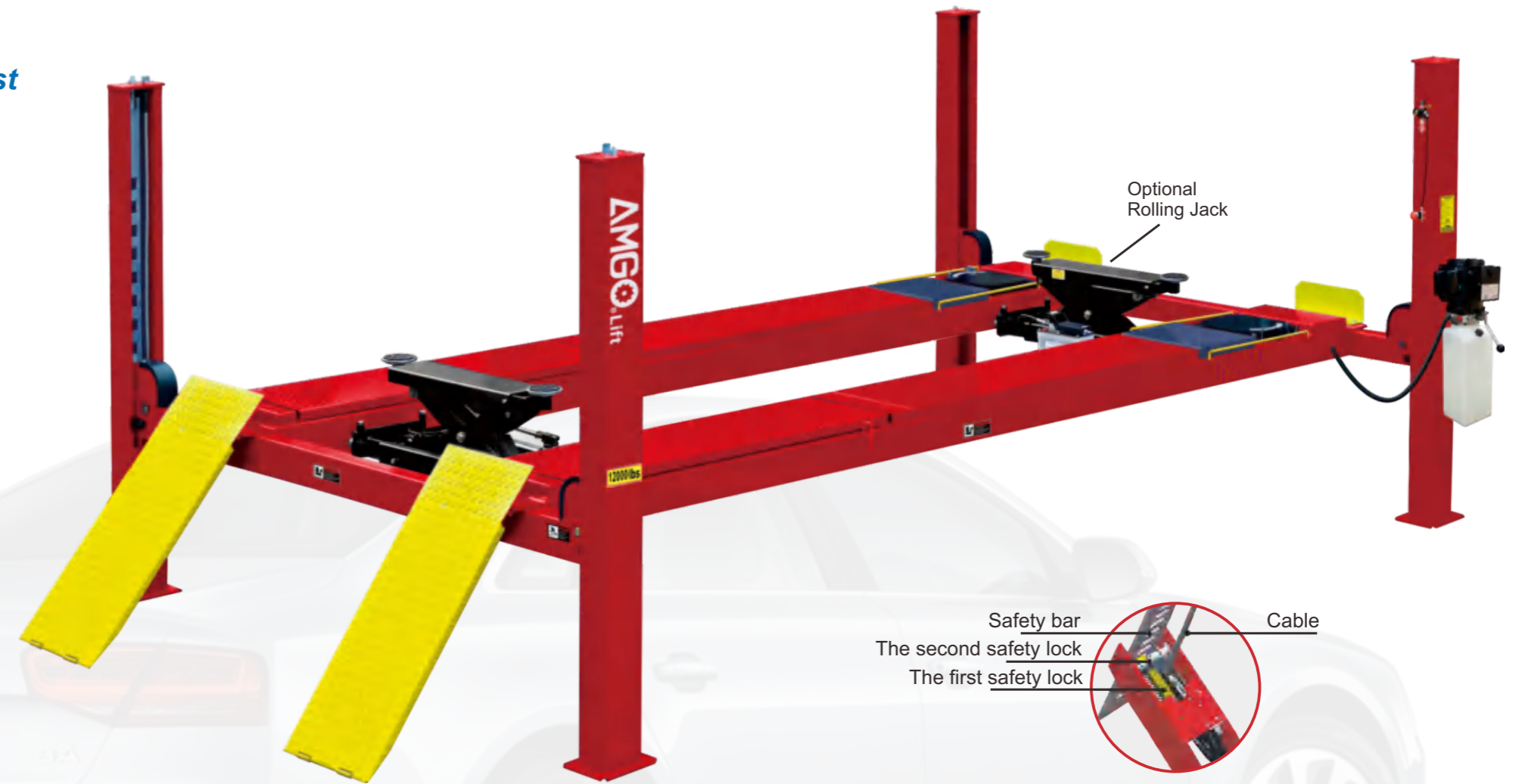
PRO-12SX

PRO-12ASX

FOUR POST COMMERCIAL LIFT

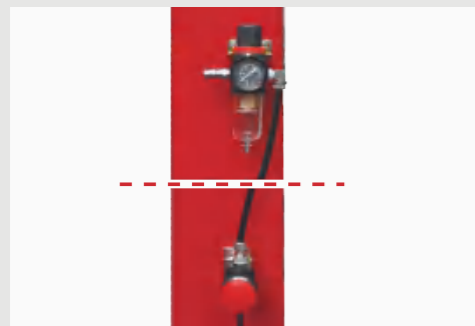
The PRO-12SX & PRO-12ASX are the wider Four Post Lifts with the same advance features as AMGO other products.

- ✓ 12,000 lbs lifting capacity;
- ✓ Air-released safety lock for convenient operation and reliability;
- ✓ Mechanical self-locking device and cable-breaking protection;
- ✓ Ø1/2" aircraft quality cable;
- ✓ Skid proof diamond platform;
- ✓ Hydraulic cylinders are designed to high standards using high quality seals;
- ✓ Strict quality control of cylinders with flow restrictors to keep a constant low speed.;
- ✓ Optional Rolling Jacks:
J6H 6,000lbs manual control;
J6A 6,000lbs pneumatic pump;
- ✓ More choices:
Optional led lights Kits No. 40102001;
Optional extension Kits No. 40903;
Optional air line Kits No. 40102.



Double-safety locks

FEATURES



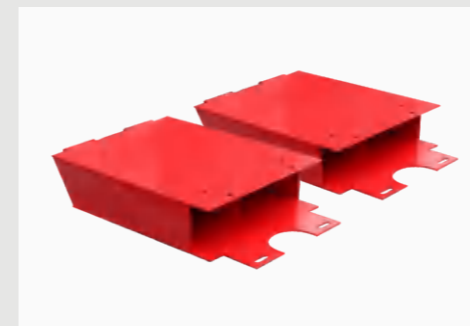
- Air controlled safety device.



- Adjustable turnplates blocks for the PRO-12ASX.
Optional turnplate. Kits No.: 40101



- Optional LED lighting.
Kits No.:40102001



- Optional length extension kits adds an extra 26" (660mm) length to the platform.
Kits No.: 40903



- Optional adjustable blocks for alignment 4 post lift.
Kits No.: 40905 (used with kits 40903)



- Optional airline kits. Easy to install with all models of rolling jacks with pneumatic pump accessories. Kits No.:40102