

MOTORCYCLE & ATV SPECIALTY LIFT

The MC-1200 is a professional motorcycle & ATV lift with a 1,200 lbs capacity. It comes standard with the wheel vise and approach ramps. The MC-1200 can be shipped with the width and length extension kits upon request.

MC-1200



Main Features

- ✓ Power unit stand with hand-release power unit mechanism.
- ✓ Mechanical hand-release safety lock with automatic activation.
- ✓ Wide platform with several slots on each side to apply vehicle tightening belts.
- ✓ Hydraulic cylinder with flow restrictor for stable and smooth lowering of the vehicle.
- ✓ Advanced features such as the plastic tool tray and rear tire removal cover.



Front Wheel Vise
Front wheel vise with an adjustable positioning distance of 16 1/8" (410mm).



Rear Tire Removal Cover
Removable platform cover plate is convenient for rear wheel changing.



Optional Lifting Jack
Lifting capacity: 1,100 lbs (500kg).
Perfect for wheel removal.
Kits No.: MC005



Optional Length Extension Kit
Adds an extra 15 3/4" (400mm) length on the platform for the long axle vehicle.
Kits No.: MC002

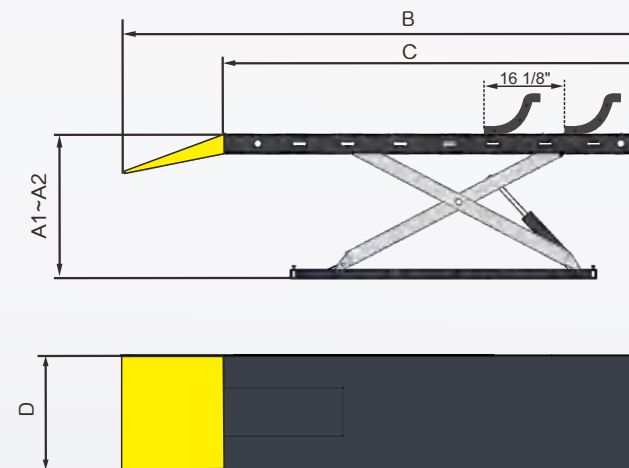


Optional Width Extension Kit
Adds an extra width of 23 5/8" (600mm) on the platform to be suitable for three or four-wheel motorcycles. Kits No.: MC001



Optional Vehicle Securing Belt
Tightens the vehicle before lifting.
Kits No.: MC006

SPECIFICATIONS



Model	MC-1200	
Lifting Capacity	1,200 lbs (600kg)	
Lifting Time	23S	
Lifting Height	A1	43" (1090mm)
Minimum Pad Height	A2	6 1/8" (155mm)
Overall Length(Inc.Ramp)	B	104 1/4" (2650mm)
Runway Length	C	88 5/8" (2250mm)
Overall Width	D	29 1/2" (750mm)
Gross Weight	619 lbs (281kg)	
Motor	1.0HP,110V/60Hz,single phase	

AMGO HYDRAULIC CORPORATION

1931 Joe Rogers Jr Blvd, Manning, SC 29102, USA
Tel: (803)505-6410 www.amgohyd.com