

LOW-RISED PORTABLE LIFT

The Portable low-rised lift is an excellent choice for low ceiling or adding a bay for seasonal increases in business. Provides good working height for tires, brakes and body repairs.

LR10



Main Features

- ✓ Automatic multiful safety locks.
- ✓ Automatic safety lock release.
- ✓ Portable unit is easy to move with the power unit stand.
- ✓ High speed: From 105-600 mm(4 1/8"-23 5/8") in just 50 seconds .
- ✓ Standard rubber pads included.

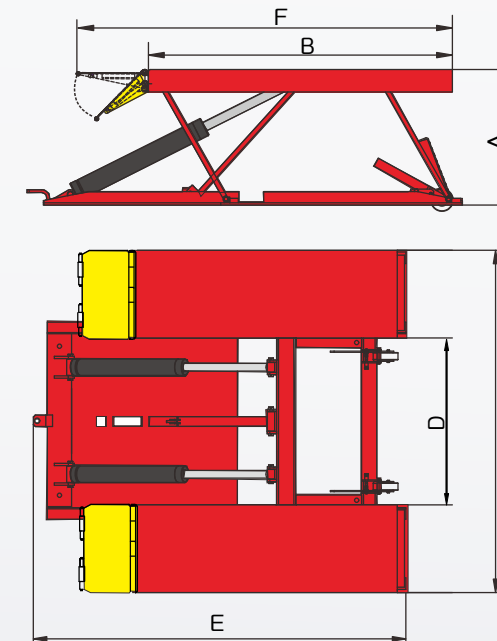


Both 1 1/2" and 3" height Rubber Pads



Extend the platform to 66".

SPECIFICATIONS



Model	LR10	
Lifting Capacity	10,000lbs (4500kg)	
Lifting Time	50S	
Max. Lifting Height	A	23 5/8" (600mm)
Mini. Height		4 1/8" (105mm)
Runway Length	B	53 1/4" (1352mm)
Overall Width	C	70" (1780mm)
Width Between Runways	D	34 1/8" (868mm)
Overall Length	E	76 1/4" (1938mm)
Gross Weight	1,025lbs (465kg)	
Motor	2.0HP,220V/60Hz,single phase	

AMGO HYDRAULIC CORPORATION

1931 Joe Rogers Jr Blvd, Manning, SC 29102, USA
Tel:(803)505-6410 www.amgohyd.com